



# MODULA

## Complete solutions for balancing and temperature control

### Application

The MODULA is a compact and versatile valve system that combines the range of automatic flow, pressure and temperature control valves with isolation, flushing, draining and measurement components within a prefabricated, tested and ready to install terminal connection assembly.

The MODULA integrates one of the following pressure independent solutions:

- ALPHA (Dynamic balancing valve)
- S (Adjustable dynamic balancing valve)
- EVA (Combined dynamic balancing and 2 port on/off valve)
- OPTIMA and OPTIMA Compact (Pressure Independent Control Valve - PICV)
- PV (Adjustable Differential Pressure Control Valve)

With isolation valves, strainer, drain/hose connection & P/T plug.

### Benefits

The MODULA assembly combines the benefits of OPTIMA, EVA and ALPHA in addition to:

#### Design

- Minimized design time and risks due to complete solution
- Guaranteed performance of the complete system
- Compact design for limited space availability

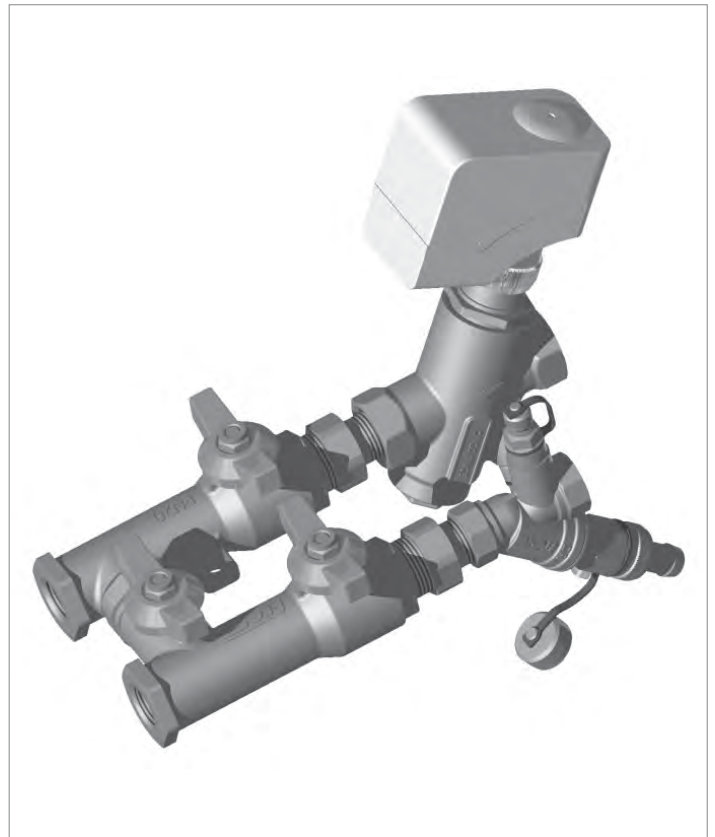
#### Installation

- Minimized installation and commissioning costs
- Allows easy flushing and coil isolation
- Easy lagging of spindle extensions
- Simple attachment to existing hangers
- Integrated fitting lug for ease of installation

#### Operation

- High comfort with minimized operation and maintenance costs

For a full understanding of ALPHA, EVA, S, PV OPTIMA and OPTIMA Compact solutions please refer to the relevant Technotes.

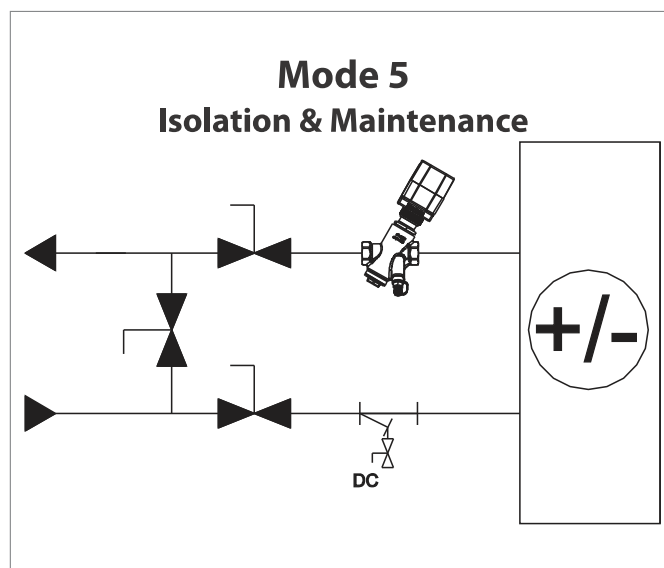
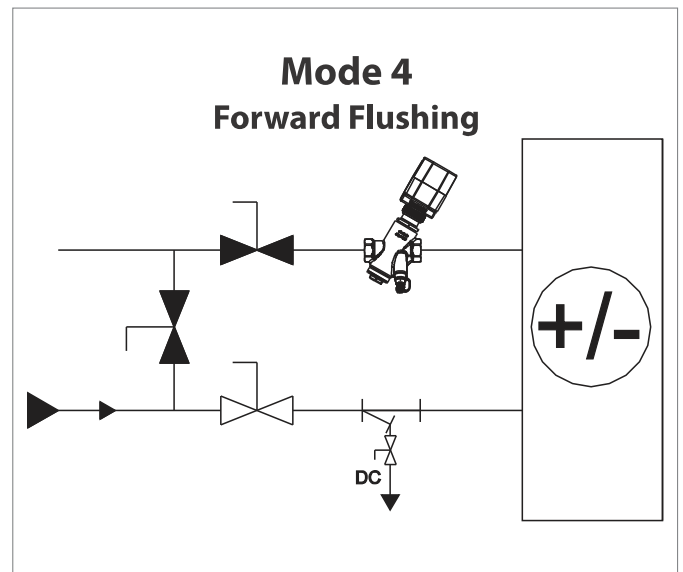
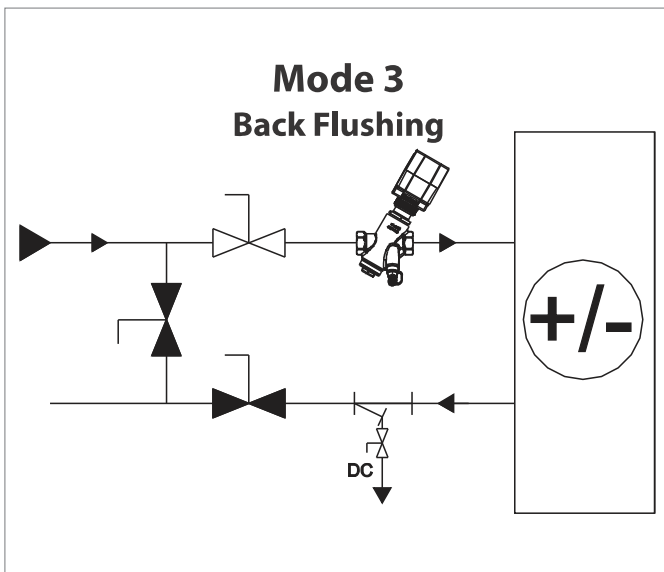
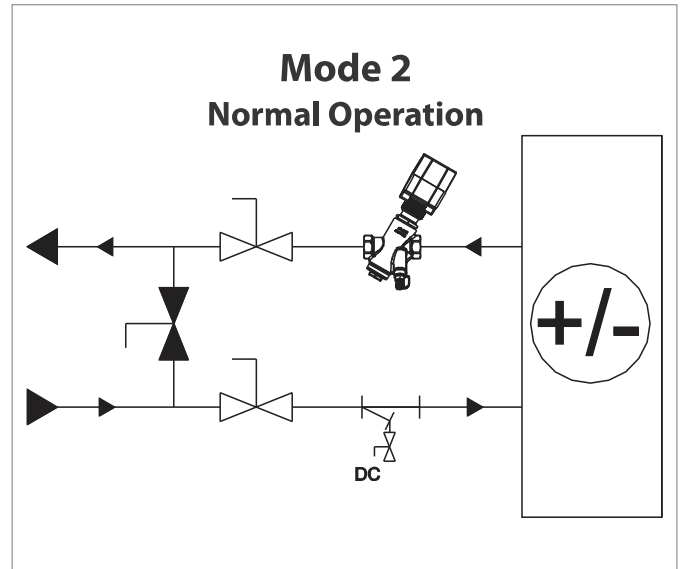
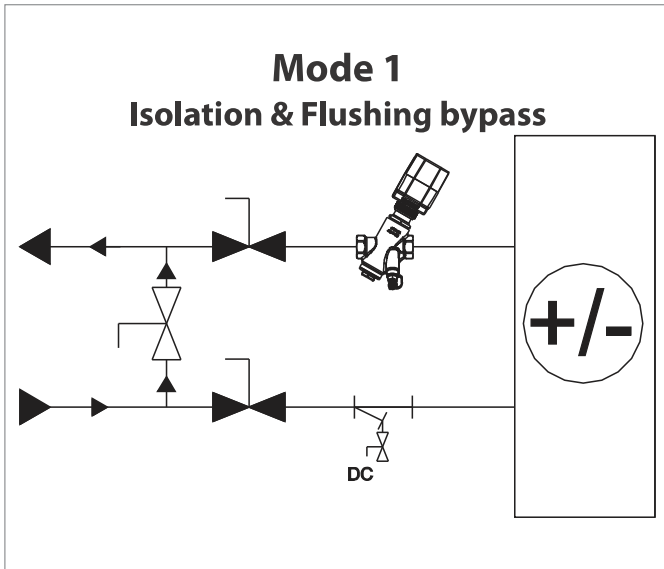


### Features

- Available in 1/2", 3/4" and 1" end connections
- Compact 80mm/130mm/170mm supply/return centres
- Integrated union joints for easy valve alignment
- 3/4" T-handle isolation-valves for flow, return and bypass. Full port valves on flow and return
- Spindle extensions available
- Combinations with strainer, drain/hose connection, P/T plug available

# MODULA

Complete solutions for balancing and temperature control





# MODULA

## Complete solutions for balancing and temperature control

55	MODULA II Kit					
1	OPTIMA					
2	ALPHA					
3	EVA					
4	EVA Basic					
5	S					
6	PV					
7	OPTIMA Compact					
1	DN15 - 80mm	4	DN15 - 130mm	7	DN15 - 170mm	
2	DN20 - 80mm	5	DN20 - 130mm	8	DN20 - 170mm	
3	DN25 - 80mm	6	DN25 - 130mm	9	DN25 - 170mm	
1	T-piece with 1" P/T-plug + drain and hose					
2	T-piece with 1" P/T-plug + drain, hose and extension handle					
3	Strainer with 1" P/T-plug + drain and hose					
4	Strainer with 1" P/T-plug + drain, hose and extension handle					
5	T-piece with 1" P/T- plug/plug					
6	T-piece with 1" P/T- plug/plug and extension handle					
7	Strainer with 1" P/T- plug/plug					
8	Strainer with 1" P/T- plug/plug and extension handle					
A	T-piece with 1" P/T-plug + drain and hose (Left hand mount)					
B	T-piece with 1" P/T-plug + drain, hose and extension handle (Left hand mount)					
C	Strainer with 1" P/T-plug + drain and hose (Left hand mount)					
D	Strainer with 1" P/T-plug + drain, hose and extension handle (Left hand mount)					
E	T-piece with 1" P/T-plug/plug (Left hand mount)					
F	T-piece with 1" P/T-plug/plug and extension handle (Left hand mount)					
G	Strainer with 1" P/T-plug/plug (Left hand mount)					
H	Strainer with 1" P/T-plug/plug and extension handle (Left hand mount)					
1	1" P/T Plug on valve					
2	2" P/T Plug on valve					
3	Plug					
L	Low Flow					
H	High Flow					
4	Low Pressure					
5	High Pressure					
XXXX	Flow in l/sec. (X.XXX)					
55	X	X	X	X	X	
	Valve	Size/Center Modula II combination	Valve plug	Flow/Pressure	Cartridge	

Example of order combination: **551-12-1-L**

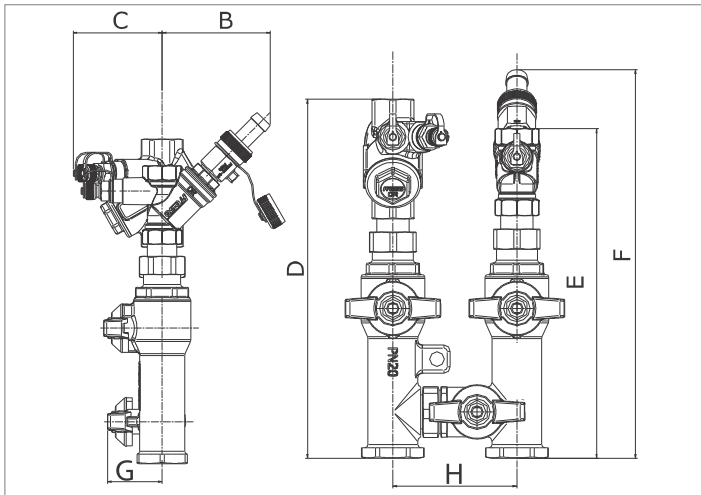
### Specification text MODULA:

The valve system shall combine a dynamic balancing valve with a fixed 80mm distance supply/return component. The balancing valve can also be a combination valve for dynamic balancing and control.

ALPHA, EVA, ALPHA Cartridges, OPTIMA (see corresponding technote).

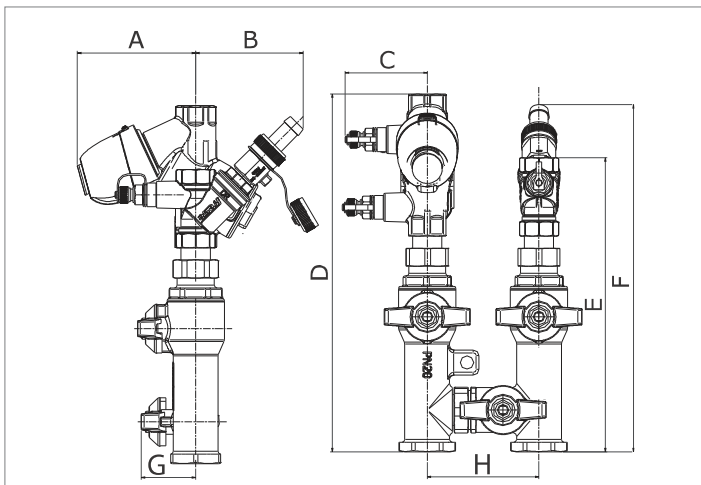
# MODULA

## Complete solutions for balancing and temperature control



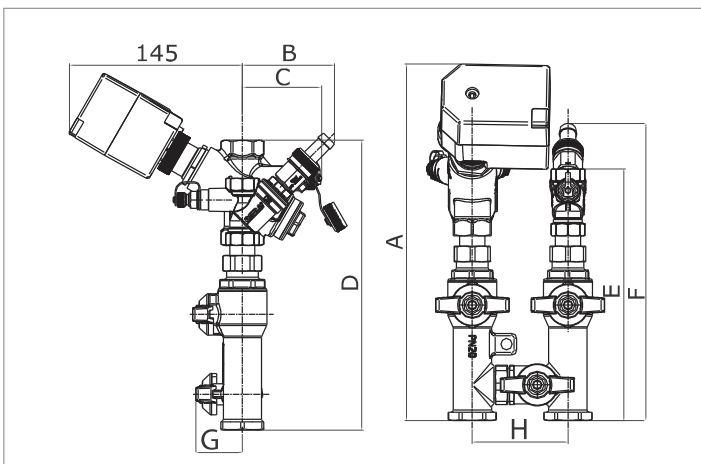
### MODULA - ALPHA

	DN15	DN20	DN25	
<b>A</b>	79	87	97	
<b>C</b>	63/102	63/102	63/102	1" PT/2" PT
<b>D</b>	231	231	239	
<b>E</b>	211	230	257	
<b>F</b>	249	266	293	
<b>G</b>	41/88	41/88	41/88	Std. Handle/Ext Handle
<b>H</b>	80/130/170			



### MODULA - EVA

	DN15	DN20	DN25	
<b>A</b>	85	85	85	
<b>B</b>	79	87	97	
<b>C</b>	59/98	59/98	59/98	1" PT/2" PT
<b>D</b>	256	256	264	
<b>E</b>	211	230	257	
<b>F</b>	249	266	293	
<b>G</b>	41/88	41/88	41/88	Std. Handle/Ext Handle
<b>H</b>	80/130/170			

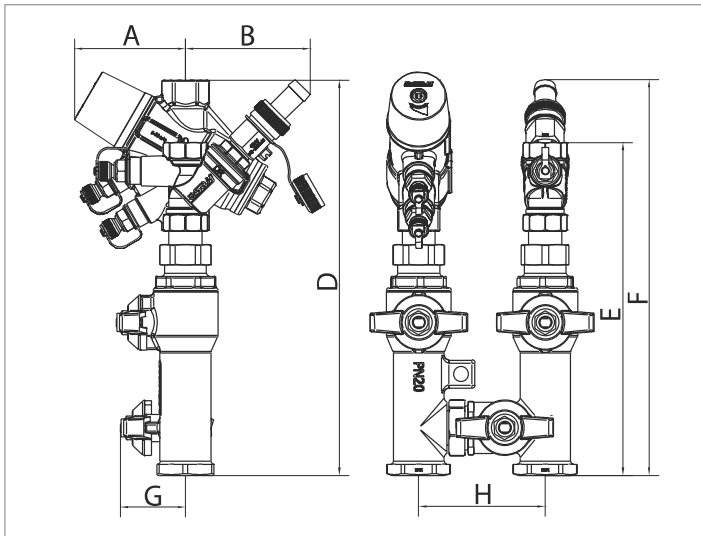


### MODULA - OPTIMA

	DN15	DN20	DN25	
<b>A</b>	298	298	298	
<b>B</b>	79	87	97	
<b>C</b>	66/100	66/100	66/100	1" PT/2" PT
<b>D</b>	243	243	251	
<b>E</b>	211	230	257	
<b>F</b>	249	266	293	
<b>G</b>	41/88	41/88	41/88	Std. Handle/Ext Handle
<b>H</b>	80/130/170			

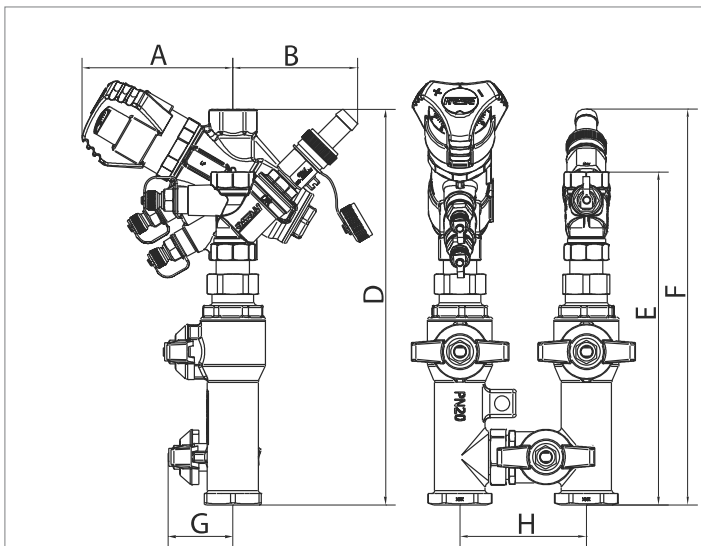
# MODULA

## Complete solutions for balancing and temperature control



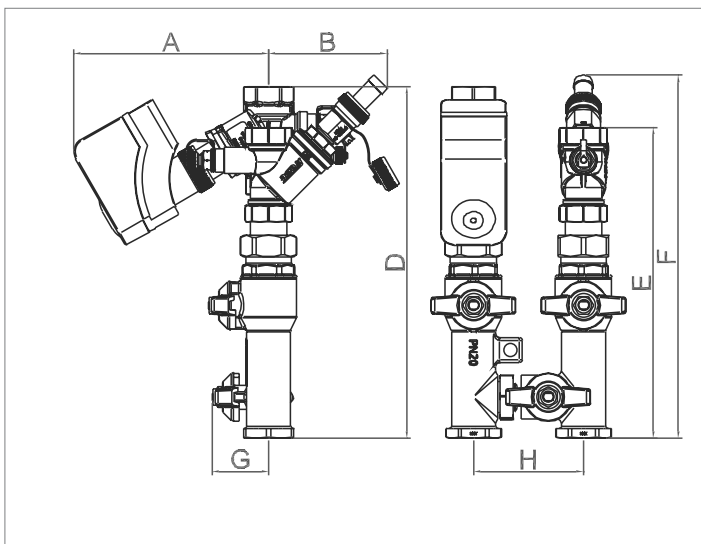
### MODULA - PV

	DN15	DN20	DN25	
<b>A</b>	70	73	91	
<b>B</b>	79	87	97	
<b>D</b>	250	251	257	
<b>E</b>	211	230	257	
<b>F</b>	249	266	293	
<b>G</b>	41/88	41/88	41/88	Std. Handle/Ext Handle
<b>H</b>	80/130/170			



### MODULA - S

	DN15	DN20	DN25	
<b>A</b>	96	98	102	
<b>B</b>	79	87	97	
<b>D</b>	250	251	257	
<b>E</b>	211	230	257	
<b>F</b>	249	266	293	
<b>G</b>	41/88	41/88	41/88	Std. Handle/Ext Handle
<b>H</b>	80/130/170			



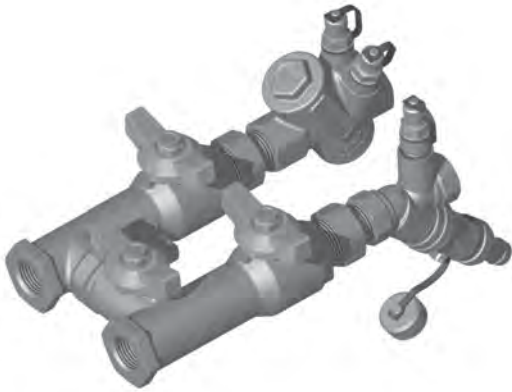
### MODULA - OPTIMA Compact

	DN15	DN20	DN25	
<b>A</b>	142	142	-	
<b>B</b>	79	87	-	
<b>D</b>	252	256	-	
<b>E</b>	211	230	-	
<b>F</b>	249	266	-	
<b>G</b>	41/88	41/88	-	Std. Handle/Ext Handle
<b>H</b>	80/130/170			

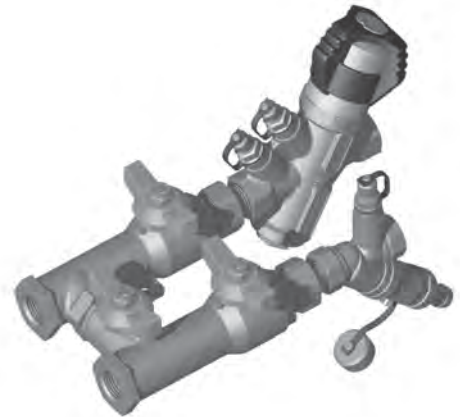
# MODULA

Complete solutions for balancing and temperature control

ALPHA - MODULA



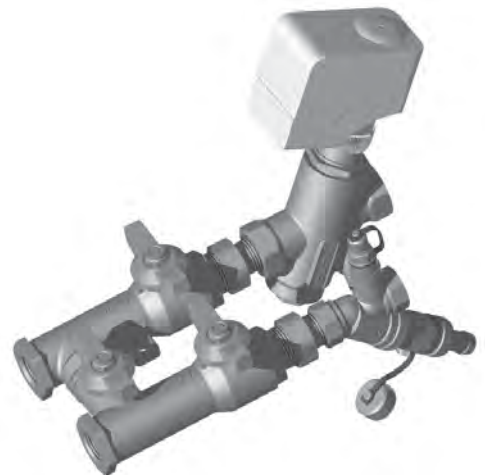
S - MODULA



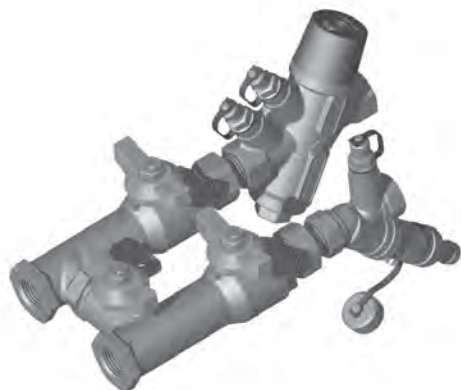
EVA - MODULA



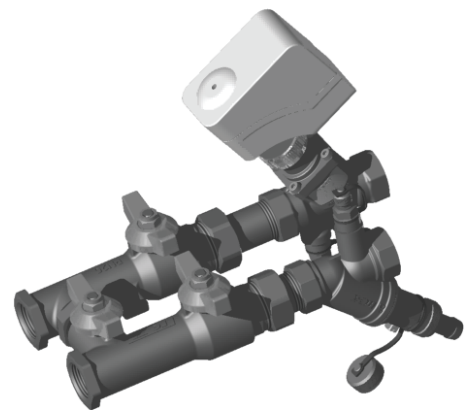
OPTIMA - MODULA



PV - MODULA

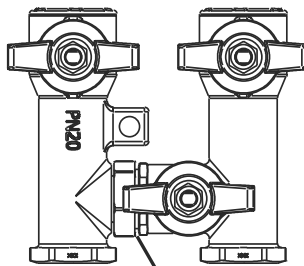
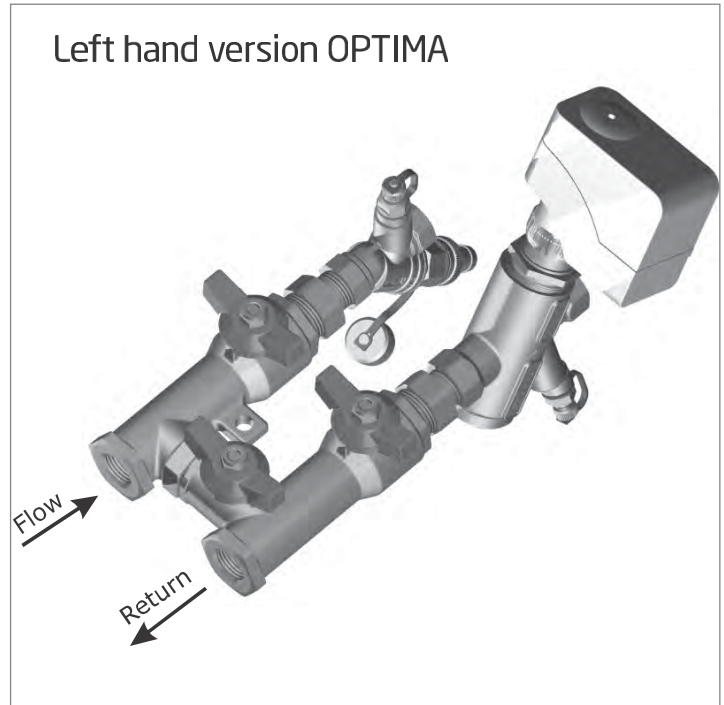
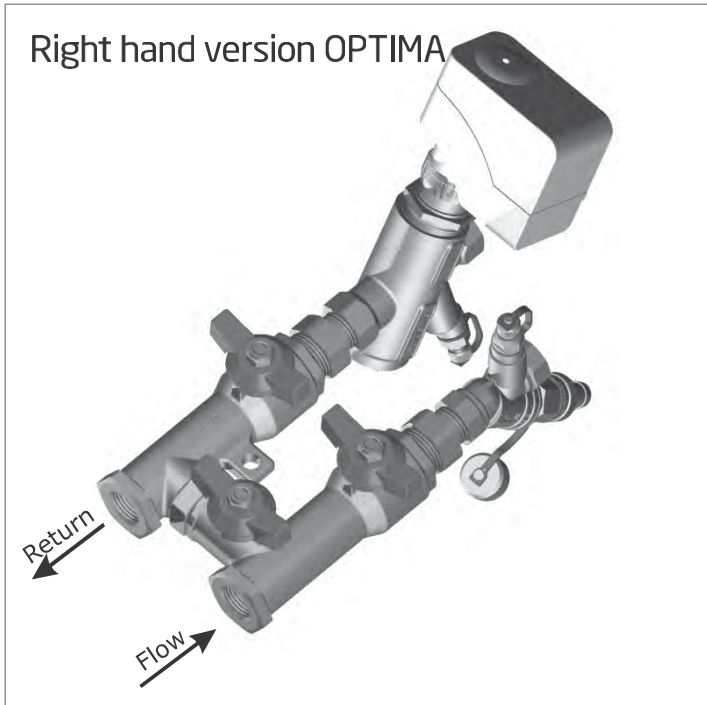


OPTIMA Compact - MODULA



# MODULA

Complete solutions for balancing and temperature control



**NOTE:**  
CENTER CONNECTION JOINTS  
SHOULD NOT BE DISASSEMBLED  
AS THIS CAN DAMAGE THE  
INTERNAL SEAL

